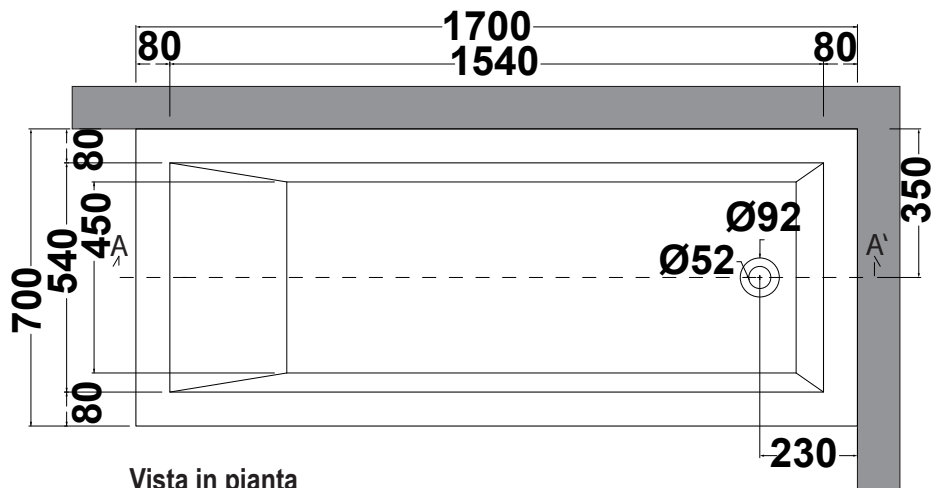


VASCA IN ACRILICO DX 170X70

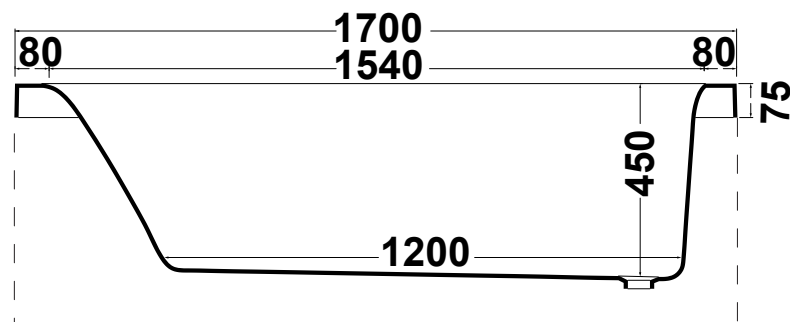
ACRYLIC BATHTUB RX 170X70

DATI TECNICI

TECHNICAL INFO



Vista in pianta
plan view



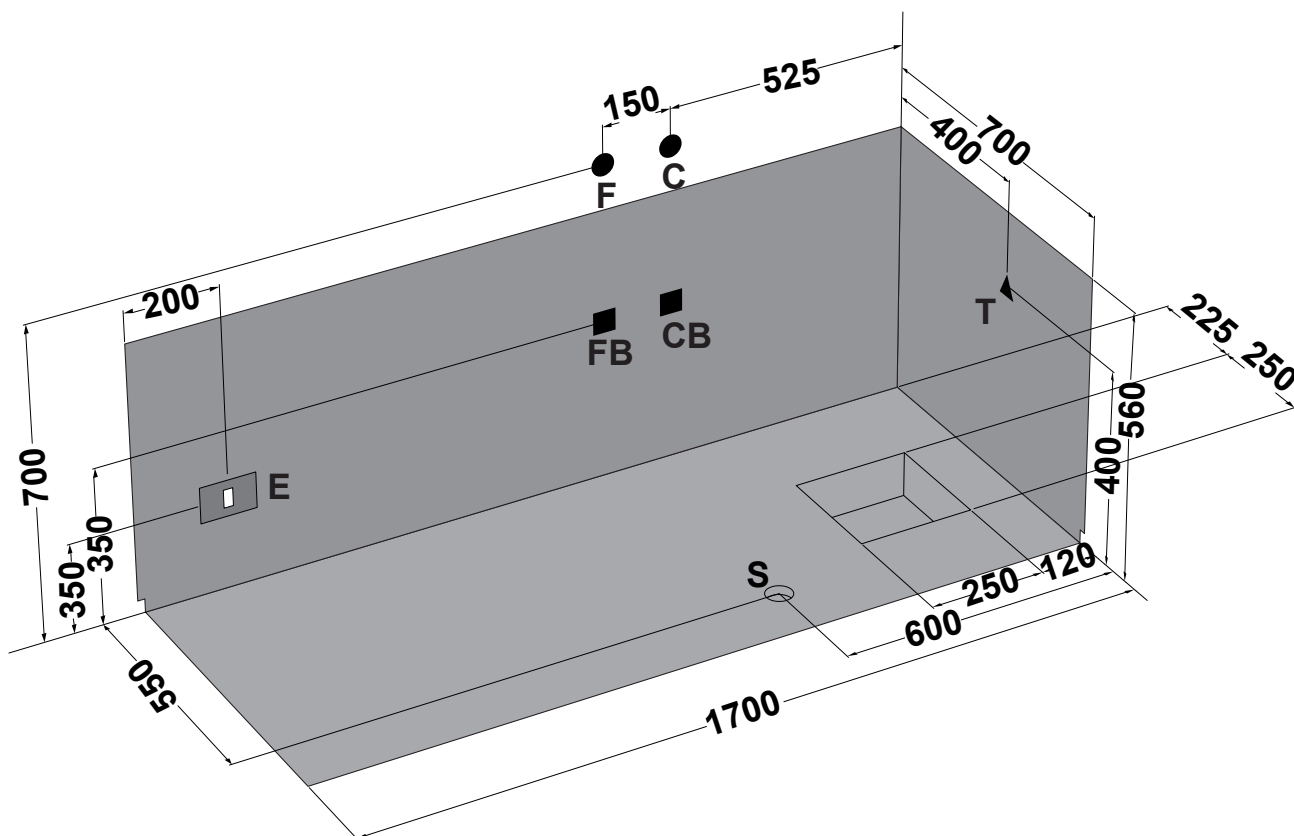
Sezione A/A'
Section A/A'

VASCA IN ACRILICO DX 170X70

ACRYLIC BATHTUB RX 170X70

DATI TECNICI

TECHNICAL INFO



Ingombro vasca proiettato nel muro
 Bath overall dimensions as projected on the wall

VASCA IN ACRILICO DX 170X70

DATI TECNICI

ACRYLIC BATHTUB RX 170X70

TECHNICAL INFO

I	CARATTERISTICHE IDRAULICHE	CARATTERISTICHE ELETTRICHE	REQUISITI DI PREINSTALLAZIONE	COMBINAZIONI RUBINETTERIA																						
<p>N.B. L'INSTALLAZIONE DEVE AVVENIRE A PAVIMENTO E PARETI FINITE</p>	Numero jets: 6	<table border="1"> <tr> <td>V</td> <td>HZ</td> <td>KW</td> <td>A</td> </tr> <tr> <td>220/240</td> <td>50/60</td> <td>0.78</td> <td>4.5</td> </tr> </table>	V	HZ	KW	A	220/240	50/60	0.78	4.5	<table border="1"> <tr> <td>C : Allaccio acqua calda rubinetteria parete:</td> <td>1/2"</td> </tr> <tr> <td>F : Allaccio acqua fredda rubinetteria parete:</td> <td>1/2"</td> </tr> </table>	C : Allaccio acqua calda rubinetteria parete:	1/2"	F : Allaccio acqua fredda rubinetteria parete:	1/2"	<table border="1"> <tr> <td>C F :</td> <td>Rubinetteria parete</td> </tr> </table>	C F :	Rubinetteria parete								
V	HZ	KW	A																							
220/240	50/60	0.78	4.5																							
C : Allaccio acqua calda rubinetteria parete:	1/2"																									
F : Allaccio acqua fredda rubinetteria parete:	1/2"																									
C F :	Rubinetteria parete																									
<p>Peso netto: Kg 58 Peso spedizione: Kg 63 Volume spedizione: m3 = 0,777 Contenuto acqua Lt 220</p>	jets airpool : 12	<p>ELETTRO POMPA AIRPOOL</p> <table border="1"> <tr> <td>V</td> <td>HZ</td> <td>KW</td> <td>A</td> </tr> <tr> <td>220/230</td> <td>50/60</td> <td>0.65</td> <td>3</td> </tr> </table>	V	HZ	KW	A	220/230	50/60	0.65	3	<table border="1"> <tr> <td>CB : Allaccio acqua calda bordo vasca:</td> <td>1/2"</td> </tr> <tr> <td>FB : Allaccio acqua fredda bordo vasca:</td> <td>1/2"</td> </tr> <tr> <td>T : Allaccio miscelatore per erogazione da troppopieno:</td> <td>1/2"</td> </tr> <tr> <td>S : Allaccio scarico incassato a pavimento:</td> <td>1-1/2"</td> </tr> <tr> <td>E : Allaccio elettrico idromassaggio</td> <td>IPX5</td> </tr> </table>	CB : Allaccio acqua calda bordo vasca:	1/2"	FB : Allaccio acqua fredda bordo vasca:	1/2"	T : Allaccio miscelatore per erogazione da troppopieno:	1/2"	S : Allaccio scarico incassato a pavimento:	1-1/2"	E : Allaccio elettrico idromassaggio	IPX5	<table border="1"> <tr> <td>CFT:</td> <td>Rubinetteria parete con erogazione troppopieno</td> </tr> <tr> <td>CB BF:</td> <td>Rubinetteria bordo vasca</td> </tr> </table>	CFT:	Rubinetteria parete con erogazione troppopieno	CB BF:	Rubinetteria bordo vasca
V	HZ	KW	A																							
220/230	50/60	0.65	3																							
CB : Allaccio acqua calda bordo vasca:	1/2"																									
FB : Allaccio acqua fredda bordo vasca:	1/2"																									
T : Allaccio miscelatore per erogazione da troppopieno:	1/2"																									
S : Allaccio scarico incassato a pavimento:	1-1/2"																									
E : Allaccio elettrico idromassaggio	IPX5																									
CFT:	Rubinetteria parete con erogazione troppopieno																									
CB BF:	Rubinetteria bordo vasca																									
GB	WATER SYSTEM SPECIFICATION	POWER SYSTEM SPECIFICATION	CONDITION REQUIRED BEFORE THE INSTALLATION	TAPS COMBINATION																						
<p>N.B. THE INSTALLATION MUST BE CARRIED OUT WITH FLOOR AND WALLS ALRESDY TILED</p>	Numero jets: 6	<table border="1"> <tr> <td>V</td> <td>HZ</td> <td>KW</td> <td>A</td> </tr> <tr> <td>220/240</td> <td>50/60</td> <td>0.78</td> <td>4.5</td> </tr> </table>	V	HZ	KW	A	220/240	50/60	0.78	4.5	<table border="1"> <tr> <td>C : Wall taps outlet for hot water:</td> <td>1/2"</td> </tr> <tr> <td>F : Wall taps outlet for cold water:</td> <td>1/2"</td> </tr> </table>	C : Wall taps outlet for hot water:	1/2"	F : Wall taps outlet for cold water:	1/2"	<table border="1"> <tr> <td>C F :</td> <td>Wall taps</td> </tr> </table>	C F :	Wall taps								
V	HZ	KW	A																							
220/240	50/60	0.78	4.5																							
C : Wall taps outlet for hot water:	1/2"																									
F : Wall taps outlet for cold water:	1/2"																									
C F :	Wall taps																									
<p>Net weight: Kg 58 total weight with package: Kg 63 Volume with package: m3 = 0,777 Water capacity Lt 220</p>	jets airpool : 12	<p>ELECTRO PUMP AIRPOOL</p> <table border="1"> <tr> <td>V</td> <td>HZ</td> <td>KW</td> <td>A</td> </tr> <tr> <td>220/230</td> <td>50/60</td> <td>0.65</td> <td>3</td> </tr> </table>	V	HZ	KW	A	220/230	50/60	0.65	3	<table border="1"> <tr> <td>CB : Bath edge taps outlet for hot water:</td> <td>1/2"</td> </tr> <tr> <td>FB : Bath edge taps outlet for cold water:</td> <td>1/2"</td> </tr> <tr> <td>T : Single outlet for mixed water to supply by overflowing:</td> <td>1/2"</td> </tr> <tr> <td>S : Drainage outlet installed in the floor:</td> <td>1-1/2"</td> </tr> <tr> <td>E : Power outlet for the wirpool</td> <td>IPX5</td> </tr> </table>	CB : Bath edge taps outlet for hot water:	1/2"	FB : Bath edge taps outlet for cold water:	1/2"	T : Single outlet for mixed water to supply by overflowing:	1/2"	S : Drainage outlet installed in the floor:	1-1/2"	E : Power outlet for the wirpool	IPX5	<table border="1"> <tr> <td>CFT:</td> <td>Wall taps with water supply by overflowing</td> </tr> <tr> <td>CB BF:</td> <td>Bath edge taps</td> </tr> </table>	CFT:	Wall taps with water supply by overflowing	CB BF:	Bath edge taps
V	HZ	KW	A																							
220/230	50/60	0.65	3																							
CB : Bath edge taps outlet for hot water:	1/2"																									
FB : Bath edge taps outlet for cold water:	1/2"																									
T : Single outlet for mixed water to supply by overflowing:	1/2"																									
S : Drainage outlet installed in the floor:	1-1/2"																									
E : Power outlet for the wirpool	IPX5																									
CFT:	Wall taps with water supply by overflowing																									
CB BF:	Bath edge taps																									
F	WATER SYSTEM SPECIFICATION	POWER SYSTEM SPECIFICATION	CONDITION REQUIRED BEFORE THE INSTALLATION	TAPS COMBINATION																						
<p>N.B. THE INSTALLATION MUST BE CARRIED OUT WITH FLOOR AND WALLS ALRESDY TILED</p>	Numero jets: 6	<table border="1"> <tr> <td>V</td> <td>HZ</td> <td>KW</td> <td>A</td> </tr> <tr> <td>220/240</td> <td>50/60</td> <td>0.78</td> <td>4.5</td> </tr> </table>	V	HZ	KW	A	220/240	50/60	0.78	4.5	<table border="1"> <tr> <td>C : Wall taps outlet for hot water:</td> <td>1/2"</td> </tr> <tr> <td>F : Wall taps outlet for cold water:</td> <td>1/2"</td> </tr> </table>	C : Wall taps outlet for hot water:	1/2"	F : Wall taps outlet for cold water:	1/2"	<table border="1"> <tr> <td>C F :</td> <td>Wall taps</td> </tr> </table>	C F :	Wall taps								
V	HZ	KW	A																							
220/240	50/60	0.78	4.5																							
C : Wall taps outlet for hot water:	1/2"																									
F : Wall taps outlet for cold water:	1/2"																									
C F :	Wall taps																									
<p>Net weight: Kg 58 total weight with package: Kg 63 Volume with package: m3 = 0,777 Water capacity Lt 220</p>	jets airpool : 12	<p>ELECTRO PUMP AIRPOOL</p> <table border="1"> <tr> <td>V</td> <td>HZ</td> <td>KW</td> <td>A</td> </tr> <tr> <td>220/230</td> <td>50/60</td> <td>0.65</td> <td>3</td> </tr> </table>	V	HZ	KW	A	220/230	50/60	0.65	3	<table border="1"> <tr> <td>CB : Bath edge taps outlet for hot water:</td> <td>1/2"</td> </tr> <tr> <td>FB : Bath edge taps outlet for cold water:</td> <td>1/2"</td> </tr> <tr> <td>T : Single outlet for mixed water to supply by overflowing:</td> <td>1/2"</td> </tr> <tr> <td>S : Drainage outlet installed in the floor:</td> <td>1-1/2"</td> </tr> <tr> <td>E : Power outlet for the wirpool</td> <td>IPX5</td> </tr> </table>	CB : Bath edge taps outlet for hot water:	1/2"	FB : Bath edge taps outlet for cold water:	1/2"	T : Single outlet for mixed water to supply by overflowing:	1/2"	S : Drainage outlet installed in the floor:	1-1/2"	E : Power outlet for the wirpool	IPX5	<table border="1"> <tr> <td>CFT:</td> <td>Wall taps with water supply by overflowing</td> </tr> <tr> <td>CB BF:</td> <td>Bath edge taps</td> </tr> </table>	CFT:	Wall taps with water supply by overflowing	CB BF:	Bath edge taps
V	HZ	KW	A																							
220/230	50/60	0.65	3																							
CB : Bath edge taps outlet for hot water:	1/2"																									
FB : Bath edge taps outlet for cold water:	1/2"																									
T : Single outlet for mixed water to supply by overflowing:	1/2"																									
S : Drainage outlet installed in the floor:	1-1/2"																									
E : Power outlet for the wirpool	IPX5																									
CFT:	Wall taps with water supply by overflowing																									
CB BF:	Bath edge taps																									

VASCA IN ACRILICO SX 170X70

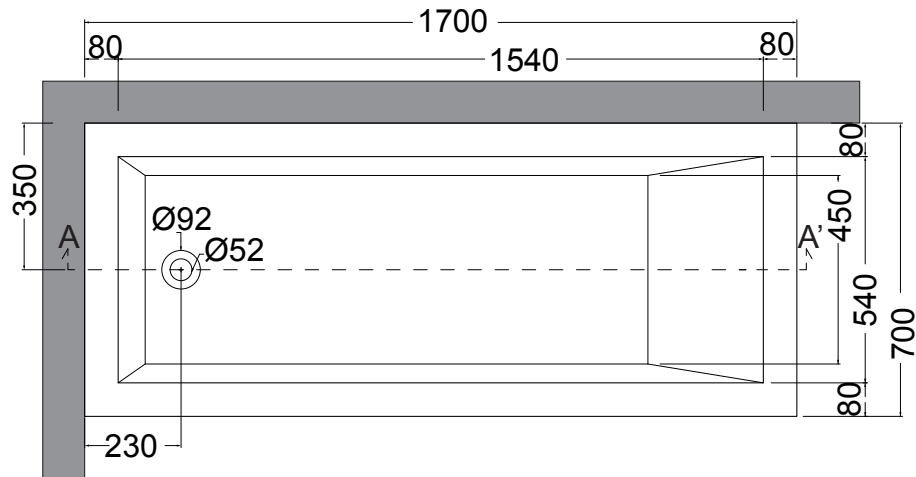
Inglese?????????

Francese???????

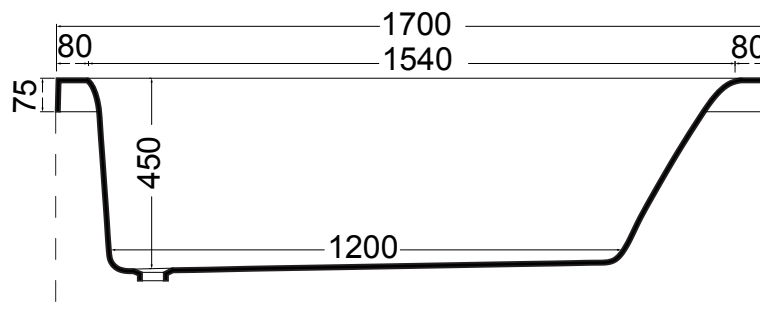
DATI TECNICI

Inglese?????????

Francese???????



Vista in pianta
plan view



Sezione A/A'
Section A/A'

VASCA IN ACRILICO SX 170X70

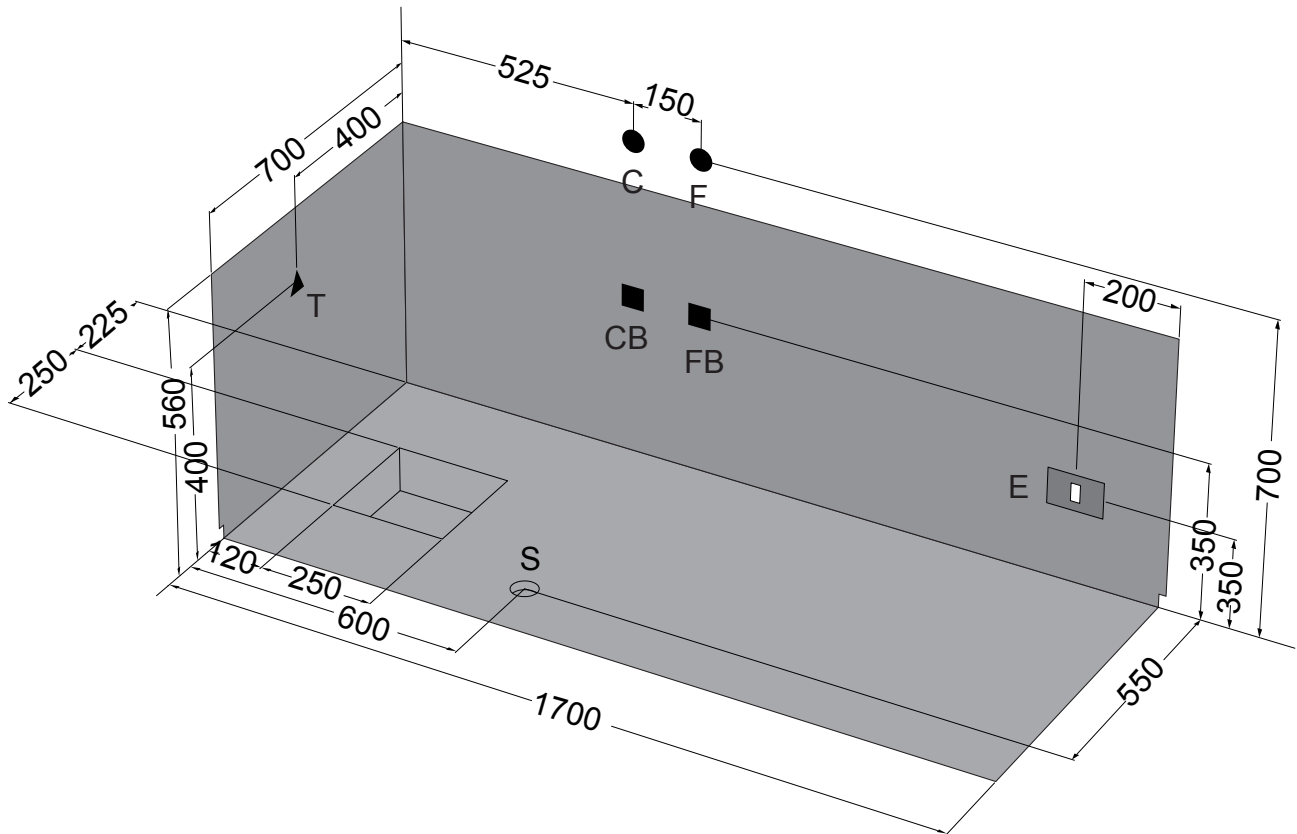
Inglese?????????

Francese???????

DATI TECNICI

Inglese?????????

Francese???????



Ingombro vasca proiettato nel muro

Bath overall dimensions as projected on the wall

VASCA IN ACRILICO SX 170X70

Inglese?????????

Francese???????

DATI TECNICI

Inglese?????????

Francese???????

I	CARATTERISTICHE IDRAULICHE	CARATTERISTICHE ELETTRICHE	REQUISITI DI PREINSTALLAZIONE	COMBINAZIONI RUBINETTERIA																						
<p>N.B. L'INSTALLAZIONE DEVE AVVENIRE A PAVIMENTO E PARETI FINITE</p>	Numero jets: 6	<table border="1"> <tr> <td>V</td><td>HZ</td><td>KW</td><td>A</td> </tr> <tr> <td>220/240</td><td>50/60</td><td>0.78</td><td>4.5</td> </tr> </table>	V	HZ	KW	A	220/240	50/60	0.78	4.5	<table border="1"> <tr> <td>C : Allaccio acqua calda rubinetteria parete:</td><td>1/2"</td> </tr> <tr> <td>F : Allaccio acqua fredda rubinetteria parete:</td><td>1/2"</td> </tr> <tr> <td>CB : Allaccio acqua calda bordo vasca:</td><td>1/2"</td> </tr> <tr> <td>FB : Allaccio acqua fredda bordo vasca:</td><td>1/2"</td> </tr> <tr> <td>T : Allaccio miscelatore per erogazione da troppopieno:</td><td>1/2"</td> </tr> <tr> <td>S : Allaccio scarico incassato a pavimento:</td><td>1-1/2"</td> </tr> <tr> <td>E : Allaccio elettrico idromassaggio</td><td>IPX5</td> </tr> </table>	C : Allaccio acqua calda rubinetteria parete:	1/2"	F : Allaccio acqua fredda rubinetteria parete:	1/2"	CB : Allaccio acqua calda bordo vasca:	1/2"	FB : Allaccio acqua fredda bordo vasca:	1/2"	T : Allaccio miscelatore per erogazione da troppopieno:	1/2"	S : Allaccio scarico incassato a pavimento:	1-1/2"	E : Allaccio elettrico idromassaggio	IPX5	<p>C F : Rubinetteria parete ● ●</p>
V	HZ	KW	A																							
220/240	50/60	0.78	4.5																							
C : Allaccio acqua calda rubinetteria parete:	1/2"																									
F : Allaccio acqua fredda rubinetteria parete:	1/2"																									
CB : Allaccio acqua calda bordo vasca:	1/2"																									
FB : Allaccio acqua fredda bordo vasca:	1/2"																									
T : Allaccio miscelatore per erogazione da troppopieno:	1/2"																									
S : Allaccio scarico incassato a pavimento:	1-1/2"																									
E : Allaccio elettrico idromassaggio	IPX5																									
<p>Peso netto: Kg 58 Peso spedizione: Kg 63 Volume spedizione: m3 = 0,777 Contenuto acqua Lt 220</p>	jets airpool : 12	<p>ELETTRO POMPA AIRPOOL</p> <table border="1"> <tr> <td>V</td><td>HZ</td><td>KW</td><td>A</td> </tr> <tr> <td>220/230</td><td>50/60</td><td>0.65</td><td>3</td> </tr> </table>	V	HZ	KW	A	220/230	50/60	0.65	3	<table border="1"> <tr> <td>CB : Allaccio acqua calda bordo vasca:</td><td>1/2"</td> </tr> <tr> <td>FB : Allaccio acqua fredda bordo vasca:</td><td>1/2"</td> </tr> <tr> <td>T : Allaccio miscelatore per erogazione da troppopieno:</td><td>1/2"</td> </tr> <tr> <td>S : Allaccio scarico incassato a pavimento:</td><td>1-1/2"</td> </tr> <tr> <td>E : Allaccio elettrico idromassaggio</td><td>IPX5</td> </tr> </table>	CB : Allaccio acqua calda bordo vasca:	1/2"	FB : Allaccio acqua fredda bordo vasca:	1/2"	T : Allaccio miscelatore per erogazione da troppopieno:	1/2"	S : Allaccio scarico incassato a pavimento:	1-1/2"	E : Allaccio elettrico idromassaggio	IPX5	<p>CFT: Rubinetteria parete con erogazione troppopieno ● ● ● ●</p> <p>CB BF: Rubinetteria bordo vasca ■ ■</p>				
V	HZ	KW	A																							
220/230	50/60	0.65	3																							
CB : Allaccio acqua calda bordo vasca:	1/2"																									
FB : Allaccio acqua fredda bordo vasca:	1/2"																									
T : Allaccio miscelatore per erogazione da troppopieno:	1/2"																									
S : Allaccio scarico incassato a pavimento:	1-1/2"																									
E : Allaccio elettrico idromassaggio	IPX5																									
GB	WATER SYSTEM SPECIFICATION	POWER SYSTEM SPECIFICATION	CONDITION REQUIRED BEFORE THE INSTALLATION	TAPS COMBINATION																						
<p>N.B. THE INSTALLATION MUST BE CARRIED OUT WITH FLOOR AND WALLS ALRESDY TILED</p>	Numero jets: 6	<table border="1"> <tr> <td>V</td><td>HZ</td><td>KW</td><td>A</td> </tr> <tr> <td>220/240</td><td>50/60</td><td>0.78</td><td>4.5</td> </tr> </table>	V	HZ	KW	A	220/240	50/60	0.78	4.5	<table border="1"> <tr> <td>C : Wall taps outlet for hot water:</td><td>1/2"</td> </tr> <tr> <td>F : Wall taps outlet for cold water:</td><td>1/2"</td> </tr> <tr> <td>CB : Bath edge taps outlet for hot water:</td><td>1/2"</td> </tr> <tr> <td>FB : Bath edge taps outlet for cold water:</td><td>1/2"</td> </tr> <tr> <td>T : Single outlet for mixed water to supply by overflowing:</td><td>1/2"</td> </tr> <tr> <td>S : Drainage outlet istalled in the floor:</td><td>1-1/2"</td> </tr> <tr> <td>E : Power outlet for the wirpool</td><td>IPX5</td> </tr> </table>	C : Wall taps outlet for hot water:	1/2"	F : Wall taps outlet for cold water:	1/2"	CB : Bath edge taps outlet for hot water:	1/2"	FB : Bath edge taps outlet for cold water:	1/2"	T : Single outlet for mixed water to supply by overflowing:	1/2"	S : Drainage outlet istalled in the floor:	1-1/2"	E : Power outlet for the wirpool	IPX5	<p>C F : Wall taps ● ●</p>
V	HZ	KW	A																							
220/240	50/60	0.78	4.5																							
C : Wall taps outlet for hot water:	1/2"																									
F : Wall taps outlet for cold water:	1/2"																									
CB : Bath edge taps outlet for hot water:	1/2"																									
FB : Bath edge taps outlet for cold water:	1/2"																									
T : Single outlet for mixed water to supply by overflowing:	1/2"																									
S : Drainage outlet istalled in the floor:	1-1/2"																									
E : Power outlet for the wirpool	IPX5																									
<p>Net weight: Kg 58 total weight with package: Kg 63 Volume with package: m3 = 0,777 Water capacity Lt 220</p>	jets airpool : 12	<p>ELECTRO PUMP AIRPOOL</p> <table border="1"> <tr> <td>V</td><td>HZ</td><td>KW</td><td>A</td> </tr> <tr> <td>220/230</td><td>50/60</td><td>0.65</td><td>3</td> </tr> </table>	V	HZ	KW	A	220/230	50/60	0.65	3	<table border="1"> <tr> <td>CB : Bath edge taps outlet for hot water:</td><td>1/2"</td> </tr> <tr> <td>FB : Bath edge taps outlet for cold water:</td><td>1/2"</td> </tr> <tr> <td>T : Single outlet for mixed water to supply by overflowing:</td><td>1/2"</td> </tr> <tr> <td>S : Drainage outlet istalled in the floor:</td><td>1-1/2"</td> </tr> <tr> <td>E : Power outlet for the wirpool</td><td>IPX5</td> </tr> </table>	CB : Bath edge taps outlet for hot water:	1/2"	FB : Bath edge taps outlet for cold water:	1/2"	T : Single outlet for mixed water to supply by overflowing:	1/2"	S : Drainage outlet istalled in the floor:	1-1/2"	E : Power outlet for the wirpool	IPX5	<p>CFT: Wall taps with water supply by overflowing ● ● ● ●</p> <p>CB BF: Bath edge taps ■ ■</p>				
V	HZ	KW	A																							
220/230	50/60	0.65	3																							
CB : Bath edge taps outlet for hot water:	1/2"																									
FB : Bath edge taps outlet for cold water:	1/2"																									
T : Single outlet for mixed water to supply by overflowing:	1/2"																									
S : Drainage outlet istalled in the floor:	1-1/2"																									
E : Power outlet for the wirpool	IPX5																									
F	WATER SYSTEM SPECIFICATION	POWER SYSTEM SPECIFICATION	CONDITION REQUIRED BEFORE THE INSTALLATION	TAPS COMBINATION																						
<p>N.B. THE INSTALLATION MUST BE CARRIED OUT WITH FLOOR AND WALLS ALRESDY TILED</p>	Numero jets: 6	<table border="1"> <tr> <td>V</td><td>HZ</td><td>KW</td><td>A</td> </tr> <tr> <td>220/240</td><td>50/60</td><td>0.78</td><td>4.5</td> </tr> </table>	V	HZ	KW	A	220/240	50/60	0.78	4.5	<table border="1"> <tr> <td>C : Wall taps outlet for hot water:</td><td>1/2"</td> </tr> <tr> <td>F : Wall taps outlet for cold water:</td><td>1/2"</td> </tr> <tr> <td>CB : Bath edge taps outlet for hot water:</td><td>1/2"</td> </tr> <tr> <td>FB : Bath edge taps outlet for cold water:</td><td>1/2"</td> </tr> <tr> <td>T : Single outlet for mixed water to supply by overflowing:</td><td>1/2"</td> </tr> <tr> <td>S : Drainage outlet istalled in the floor:</td><td>1-1/2"</td> </tr> <tr> <td>E : Power outlet for the wirpool</td><td>IPX5</td> </tr> </table>	C : Wall taps outlet for hot water:	1/2"	F : Wall taps outlet for cold water:	1/2"	CB : Bath edge taps outlet for hot water:	1/2"	FB : Bath edge taps outlet for cold water:	1/2"	T : Single outlet for mixed water to supply by overflowing:	1/2"	S : Drainage outlet istalled in the floor:	1-1/2"	E : Power outlet for the wirpool	IPX5	<p>C F : Wall taps ● ●</p>
V	HZ	KW	A																							
220/240	50/60	0.78	4.5																							
C : Wall taps outlet for hot water:	1/2"																									
F : Wall taps outlet for cold water:	1/2"																									
CB : Bath edge taps outlet for hot water:	1/2"																									
FB : Bath edge taps outlet for cold water:	1/2"																									
T : Single outlet for mixed water to supply by overflowing:	1/2"																									
S : Drainage outlet istalled in the floor:	1-1/2"																									
E : Power outlet for the wirpool	IPX5																									
<p>Net weight: Kg 58 total weight with package: Kg 63 Volume with package: m3 = 0,777 Water capacity Lt 220</p>	jets airpool : 12	<p>ELECTRO PUMP AIRPOOL</p> <table border="1"> <tr> <td>V</td><td>HZ</td><td>KW</td><td>A</td> </tr> <tr> <td>220/230</td><td>50/60</td><td>0.65</td><td>3</td> </tr> </table>	V	HZ	KW	A	220/230	50/60	0.65	3	<table border="1"> <tr> <td>CB : Bath edge taps outlet for hot water:</td><td>1/2"</td> </tr> <tr> <td>FB : Bath edge taps outlet for cold water:</td><td>1/2"</td> </tr> <tr> <td>T : Single outlet for mixed water to supply by overflowing:</td><td>1/2"</td> </tr> <tr> <td>S : Drainage outlet istalled in the floor:</td><td>1-1/2"</td> </tr> <tr> <td>E : Power outlet for the wirpool</td><td>IPX5</td> </tr> </table>	CB : Bath edge taps outlet for hot water:	1/2"	FB : Bath edge taps outlet for cold water:	1/2"	T : Single outlet for mixed water to supply by overflowing:	1/2"	S : Drainage outlet istalled in the floor:	1-1/2"	E : Power outlet for the wirpool	IPX5	<p>CFT: Wall taps with water supply by overflowing ● ● ● ●</p> <p>CB BF: Bath edge taps ■ ■</p>				
V	HZ	KW	A																							
220/230	50/60	0.65	3																							
CB : Bath edge taps outlet for hot water:	1/2"																									
FB : Bath edge taps outlet for cold water:	1/2"																									
T : Single outlet for mixed water to supply by overflowing:	1/2"																									
S : Drainage outlet istalled in the floor:	1-1/2"																									
E : Power outlet for the wirpool	IPX5																									